



ROPE REPLACEMENT

Service Guide 940-4001-S

IMPORTANT PRECAUTIONS

⚠ WARNING: To reduce the risk of serious injury, read the following important precautions before using this equipment.

1. Read all instructions in this manual and assemble as described before using this equipment.
2. It is the responsibility of the owner to ensure that all users of this equipment are adequately informed of all precautions.
3. Use this equipment only on a level surface. Cover the floor beneath to protect the surface.
4. Keep children under 12 and pets away from the equipment at all times.
5. Make sure all parts are properly tightened each time you use this machine. Replace any worn parts immediately.
6. Make sure the adjustment knobs are fully engaged / disengaged before using the equipment.
7. Always wear athletic shoes for foot protection while exercising.
8. This equipment is designed to support a maximum user weight of 300 pounds.
9. Pull on one the rope only and never grab a rope in a way that prevents the drum from rotating. Never attempt to hang on the rope or frame. Pull rope with hands only.
10. If you feel pain or dizziness at any time while exercising, stop immediately and begin cooling down.

⚠ WARNING: Before beginning this or any exercise program, consult your physician. This is especially important for persons over the age of 35 or persons with pre-existing health problems. Read all instructions before using. HiPEQ assumes no responsibility for personal injury or property damage sustained by or through the use of this product.

Rope removal - All Drum Frame models

Prior to disassembly please note rope winding scheme and direction between studs as shown in figure below:

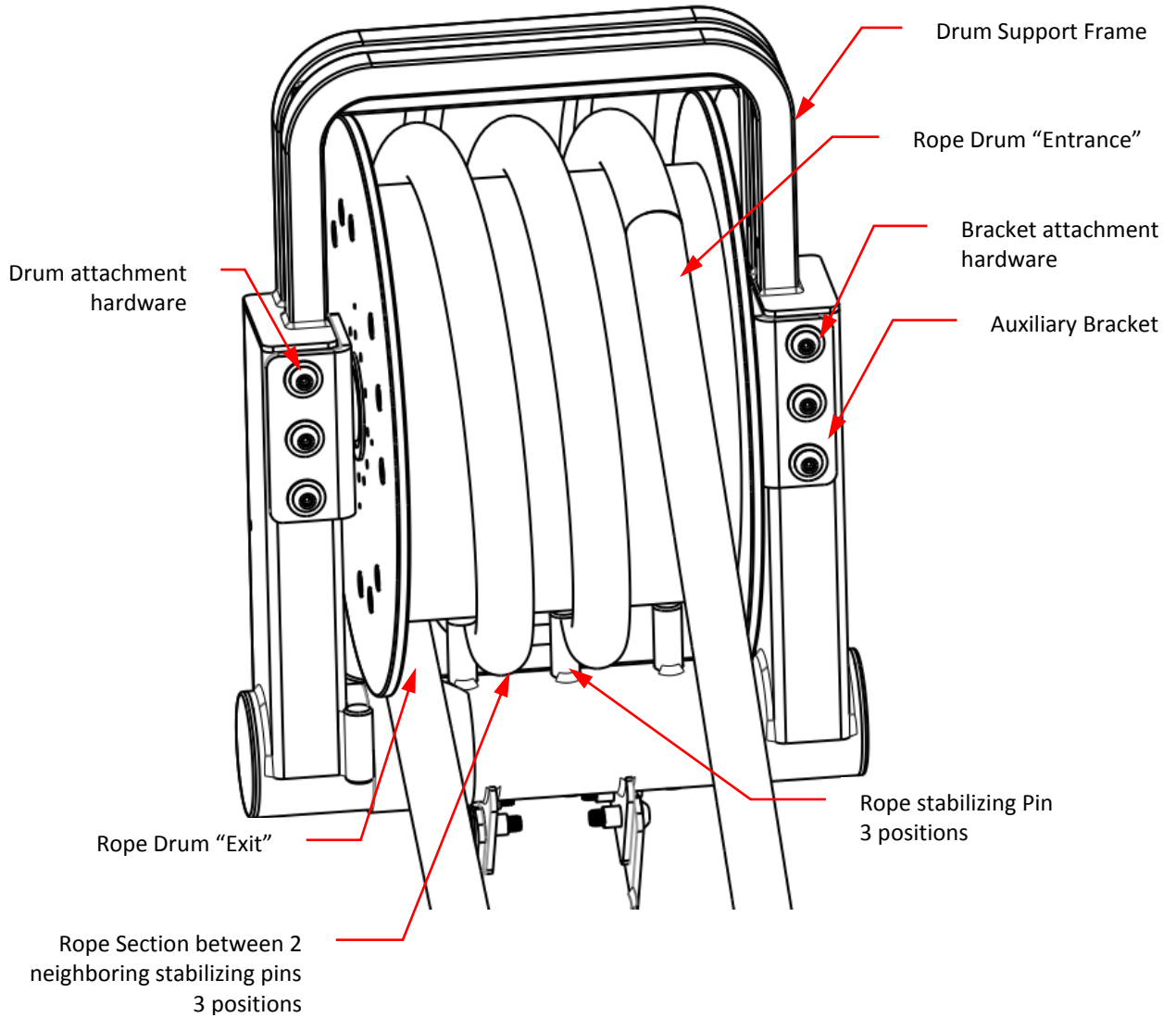


Figure 1: Rope Drum Overview

Rope removal - All Drum Frame models

STEP 1

Required Tools: 3/16 Hex T-Handle Key for 5/16" Button Head Screws and 1/4-28 socket cap screw



- 1-1** Lay the unit down so that the main drum rests horizontally on a flat, padded surface
- 1-2** Remove attachment hardware
- 1-3** Remove Auxiliary Bracket
- 1-4** Remove shaft collar 1/4-28 socket cap screws
- 1-5** Slowly pull the drum partially out of the frame as shown in figure below. On some models speed sensor wire will need to be disconnected by pulling it out for the drum center tube and disconnecting two ends
 Note: one of the ends is fed back into drum frame
- 1-6** Remove rope

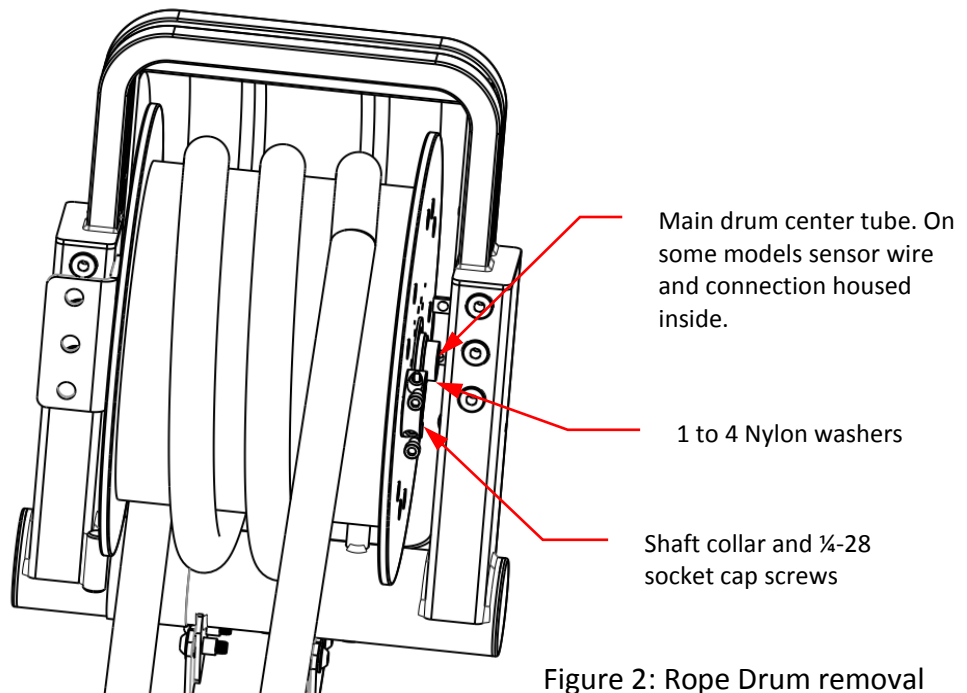


Figure 2: Rope Drum removal

Rope installation - All Drum Frame models

STEP 2

Required Tools: 3/16 Hex T-Handle Key for 5/16" Button Head Screws and ¼-28 socket cap screw



- 2-1** Prepare new rope by winding it around the drum as shown in Figure 2. Ensure that nylon washers on the main drum tube are present as shown in Figure 2.
- 2-2** Position the drum in the frame, connect sensor cable and guide the rope between stabilizing pins as shown in Figure 1
- 2-3** Attach hardware as follows:
 - 3-1** Partially install Drum attachment hardware (3 screws / washers)
 - 3-2** Install shaft collar and fully tighten ¼-28 holding screws
 - 3-3** Fully tighten Drum attachment hardware from step 2-3-1
- 2-4** Install Auxiliary Bracket and fully tighten bracket attachment hardware (3 screws / washer)

Rope installation – OX2 (RX2100)

Prior to disassembly please note rope winding scheme and direction between studs as shown in figure below:

STEP 1

Required Tools: 3/16 Hex T-Handle Key for 5/16" Button Head Screws



- 1-1 Remove support tubes attachment hardware
- 1-2 Remove rope
- 1-3 Wind rope around the drum as shown in Figure 3
- 1-4 Install support tubes and fully tighten attachment hardware (4 screws / washers)

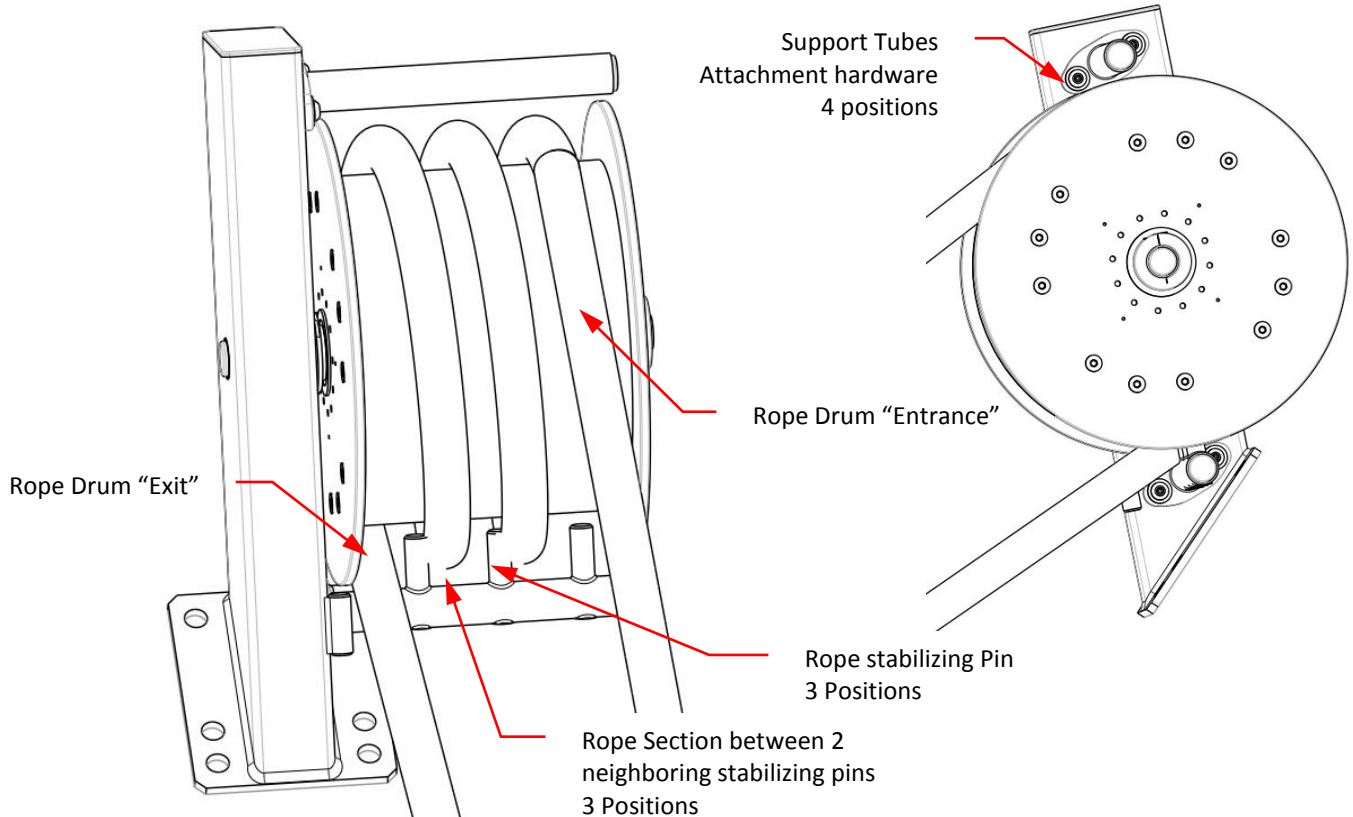


Figure 3: OX2 Rope Replacement

If you have any questions regarding HIPEQ equipment or any instruction found in this document please call 650.549.5888 for assistance.

HIPEQ LLC.
80 Glenn Way STE 8
San Carlos, CA 94070
U.S.A